

**ACCESSORIES FOR SERIES MD**



Threaded cartridges



Integrated cartridges with super-rapid fitting



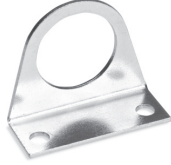
Intermediate joining cartridge Mod. MD1-C



Screws for wall mounting Mod. MD1-D



Rear bracket Mod. MD1-ST/1



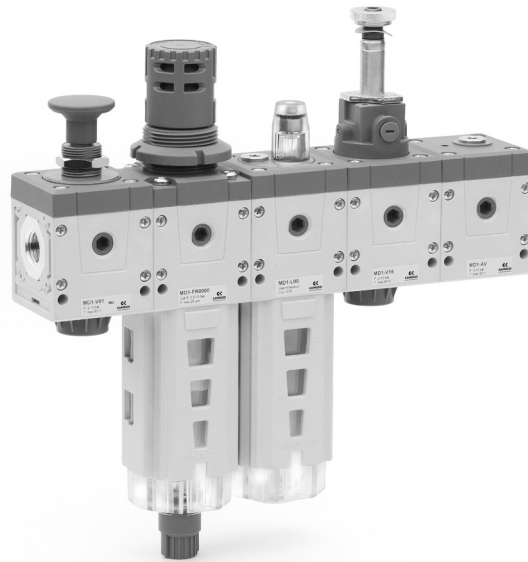
Mounting bracket Mod. C114-ST



Mounting bracket Mod. C114-ST/1



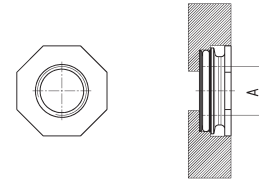
Mounting bracket Mod. C114-ST/2



### Threaded cartridges Mod. MD1-A-...



The kit is supplied with:  
2x nickel-plated threaded cartridges  
4x special white zinc-plated screws  $\varnothing 4,5$  TC/RC

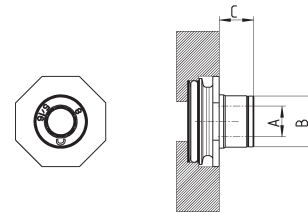


DIMENSIONS	
Mod.	A
MD1-A-1/8	G1/8
MD1-A-1/4	G1/4
MD1-A-3/8	G3/8

### Integrated cartridges with super-rapid fitting Mod. MD1-A-...



The kit is supplied with:  
2x integrated nickel-plated cartridges with super-rapid fitting  
4x special white zinc-plated screws  $\varnothing 4,5$  TC/RC

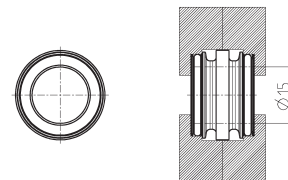


DIMENSIONS			
Mod.	A	B	C
MD1-A-6	$\varnothing 6$	12.7	8.5
MD1-A-8	$\varnothing 8$	14.2	10
MD1-A-10	$\varnothing 10$	16.5	12.5

### Intermediate joining cartridge Mod. MD1-C



The kit is supplied with:  
1x intermediate joining cartridge  
4x special white zinc-plated screws  $\varnothing 4,5$  TC/RC



Mod.  
MD1-C

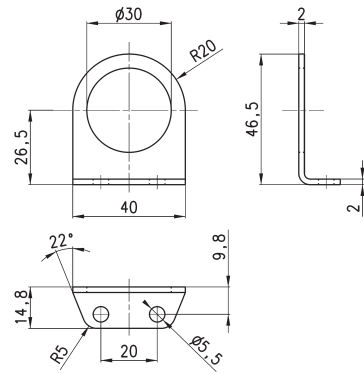


### Mounting bracket Mod. C114-ST/1



For regulators and filter-regulators (G1/4 - G1/8)

The kit is supplied with:  
1x zinc-plated steel bracket



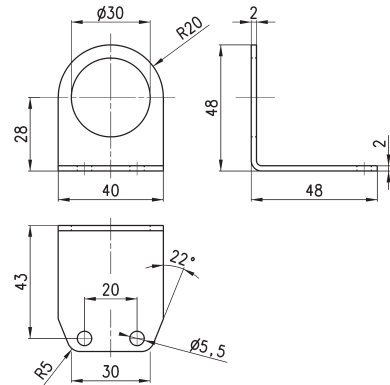
Mod.	
C114-ST/1	

### Mounting bracket Mod. C114-ST/2



For regulators and filter-regulators (G1/4 - G1/8)

The kit is supplied with:  
1x zinc-plated steel bracket

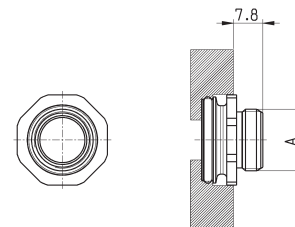


Mod.	
C114-ST/2	

### Fixing kit for Series MD: PRE



The kit includes:  
1x bushing  
1x O-Ring  
2x special  $\varnothing 4.5 \times 34$  white zinc-plated screws



DIMENSIONS	
Mod.	A
PRE-1/4-C	G1/4
PRE-3/8-C	G3/8